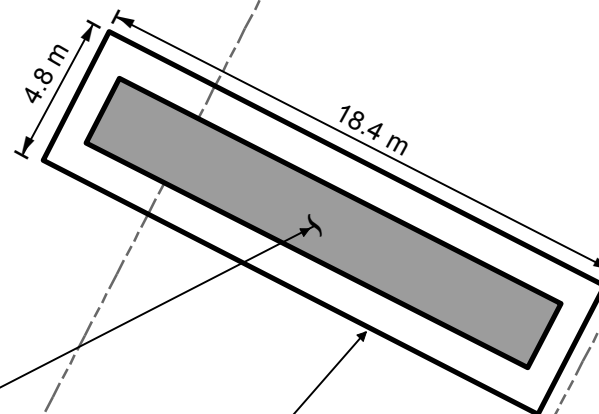




Ross Drive



Proposed 4.4 MW
Containerized Boiler Plant

Concrete Pad

Path: Q:\2800-2899\2867-012\430-GIS\MXD-Rp\2867012_C101_WestTEC-StePlan.mxd Date Saved: 10/06/2014 8:49:47 AM
Saved by: J.Lau

ISSUED INFORMATION					REVISION INFORMATION					REVISION INFORMATION					
Issued for	Issue	Date	Issued By	Rev. No.	Date	Designed	Drawn	Checked	Description of Revision	Rev. No.	Date	Designed	Drawn	Checked	Description of Revision
Reference															
Approvals															
Tender															
Permits															
Construction															
Record Drawings															



PRELIMINARY
NOT FOR CONSTRUCTION

Corix Utilities
UBC Neighbourhood DES Due Diligence
West Temporary Energy Centre

KWL Project No. 2867-012 Scale 1:250 **C-101**
Sheet 1 of 5 Rev. No. 0 Drawing Number

Client: Corix Utilities