

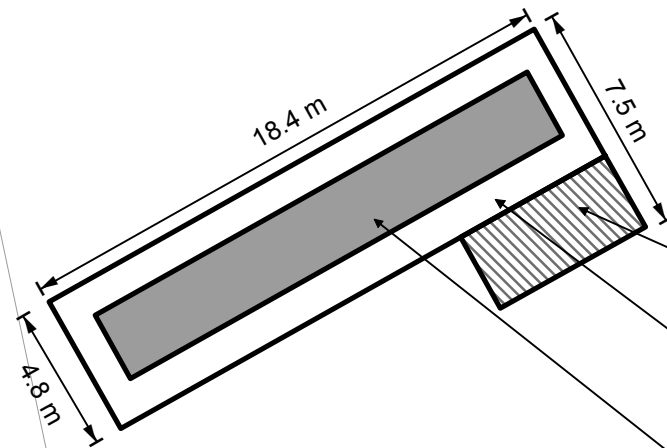


FUTURE GREEN STREET

20/21

19

FUTURE GREEN STREET



Parking Space

Concrete Pad

Proposed 4.4 MW  
Containerized Boiler Plant

Note: Road access and utility extensions to the proposed Temporary Energy Centre will be required (not shown).

BCR 2

BCR 7

Path: Q:\2800-2899\2867-012\430-GIS\MXD-Rp\2867012\_C102\_EastTECSitePlan.mxd Date Saved: 10/06/2014 8:51:42 AM  
Saved by: J.Lau

ISSUED INFORMATION	Issued for	Issue	Date	Issued By	Rev. No.	Date	Designed	Drawn	Checked	Description of Revision	Rev. No.	Date	Designed	Drawn	Checked	Description of Revision
Reference																
Approvals																
Tender																
Permits																
Construction																
Record Drawings																



**PRELIMINARY**  
**NOT FOR CONSTRUCTION**

**Corix Utilities**  
**UBC Neighbourhood DES Due Diligence**  
**East Temporary Energy Centre**

KWL Project No. 2867-012 Scale 1:250 **C-102**  
Sheet 2 of 5 Rev. No. 0 Drawing Number  
Client: Corix Utilities